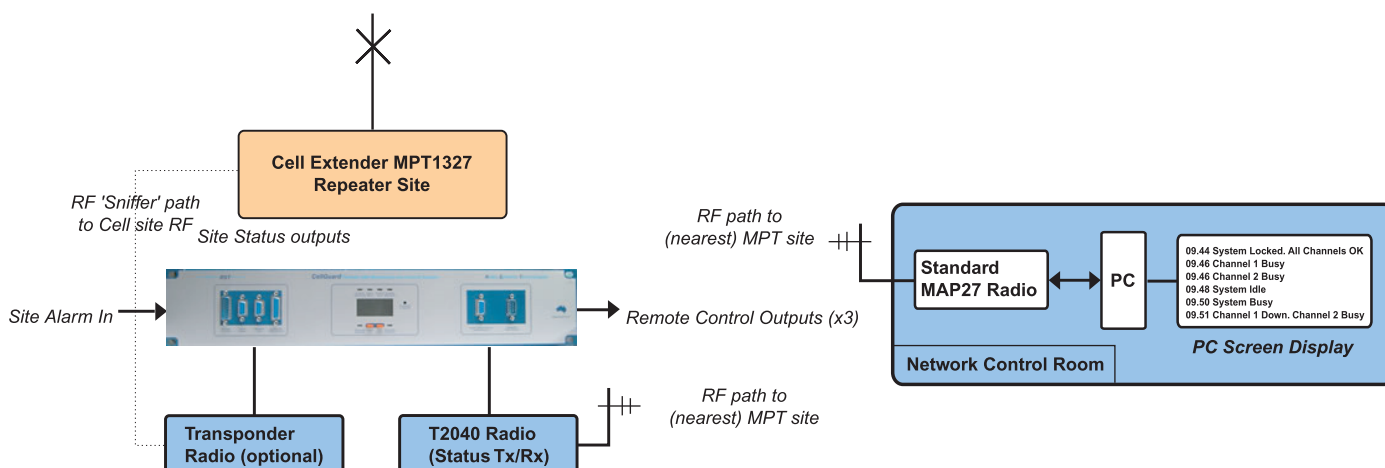


## CellGuard Remote Site Status Monitoring System for Cell Extender MPT1327 Repeater Systems



**Give your Network Control Room full visibility of your Cell Extender sites with a CellGuard Telemetry system!**

**CellGuard** is a Status Monitoring system specially designed for Cell Extender MPT1327 Trunked Repeater sites. It provides the Network Control Room with a comprehensive picture of status and operation of the Site, by reporting System Busy, Channel Busy, Channel OK/Channel Down and System OK/System Down conditions. The data is encoded into standard MPT1327 Status messages, which are transmitted via the existing MPT1327 network infrastructure, avoiding the need for any additional dial up or RF link complications. A general purpose Site Alarm status input is provided as well.

In the reverse direction (Control Room to Site), the Channel and System Busy reporting functions may be enabled or disabled by Status messages from the Control Room, as required, to suit existing operational conditions. Up to 3 independent Remote Control outputs, which can be used for a variety of local Site Control functions, are available as well. Each remote function may be programmed to On, Off, or Pulsing, with a fully programmable duty cycle.

An independently operating Voice Call Transponder (RST SiteCall) facility com-

pletes the system's powerful remote diagnostics capabilities. Simply plug in a standard trunked radio, make a normal MPT call to the Site from anywhere in your Network, speak in a message, hang up the call, and the system will call you back, re-playing the message just recorded, enabling you to see and hear exactly what your Customers see and hear when they use the Site.

### Key Features

- **Easily installed plug and play package, requiring just one standard MPT1327 radio at the Control Room to form a complete System**
- **Uses existing infrastructure: no need for additional dial up or RF link complications!!!**
- **Site Alarm Input, 3 Remote Site Command outputs**
- **Full plug-in Transponder Radio (RST SiteCall) support function**
- **Attractive, cost effective PC processing packages available for high level PC based data processing (using a MAP27 radio at the Control Room)**



**Radio Systems Technologies**

**Voice:** +613 5978 8011

**E-mail:** [radiosys@satlink.com.au](mailto:radiosys@satlink.com.au)

**Web:** [www.rstradio.com](http://www.rstradio.com)